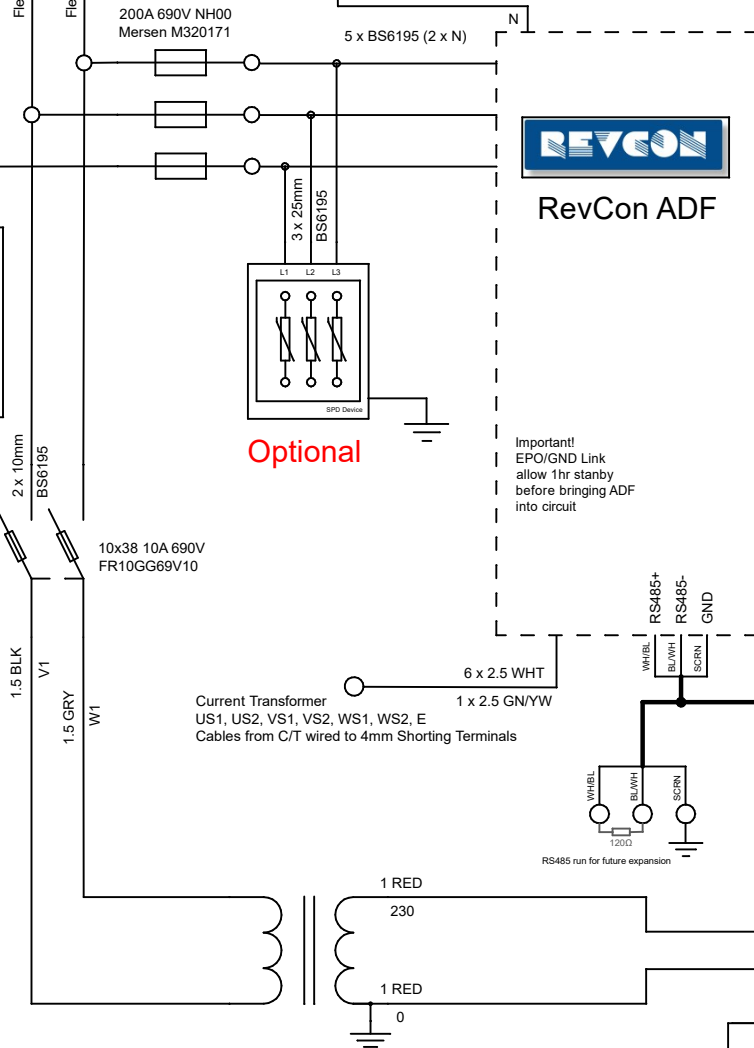
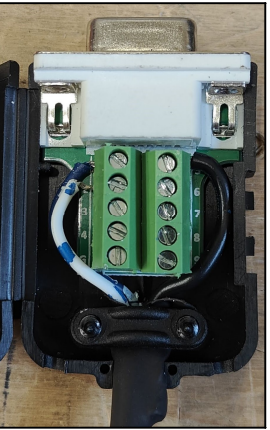


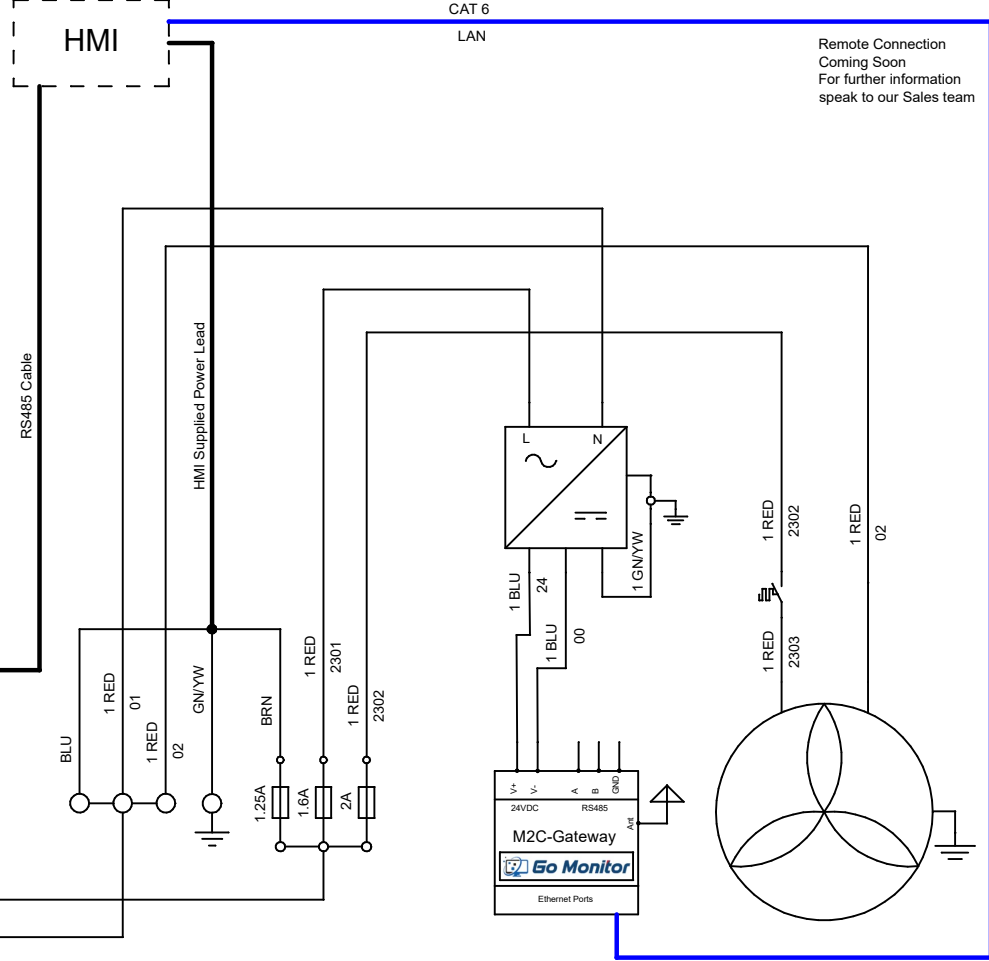
HMI Plug  
 Pin 1 - BL/WH  
 Pin 2 - WH/BL  
 Pin 5 - SCRN



Optional

Important!  
 EPO/GND Link  
 allow 1hr stanby  
 before bringing ADF  
 into circuit

Current Transformer  
 US1, US2, VS1, VS2, WS1, WS2, E  
 Cables from C/T wired to 4mm Shorting Terminals



Remote Connection  
 Coming Soon  
 For further information  
 speak to our Sales team



Description: Active Dynamic Filter RevCon option			
Issue: 01	Date: 10-10-2024	Drawn: AM	Pg: 1/1